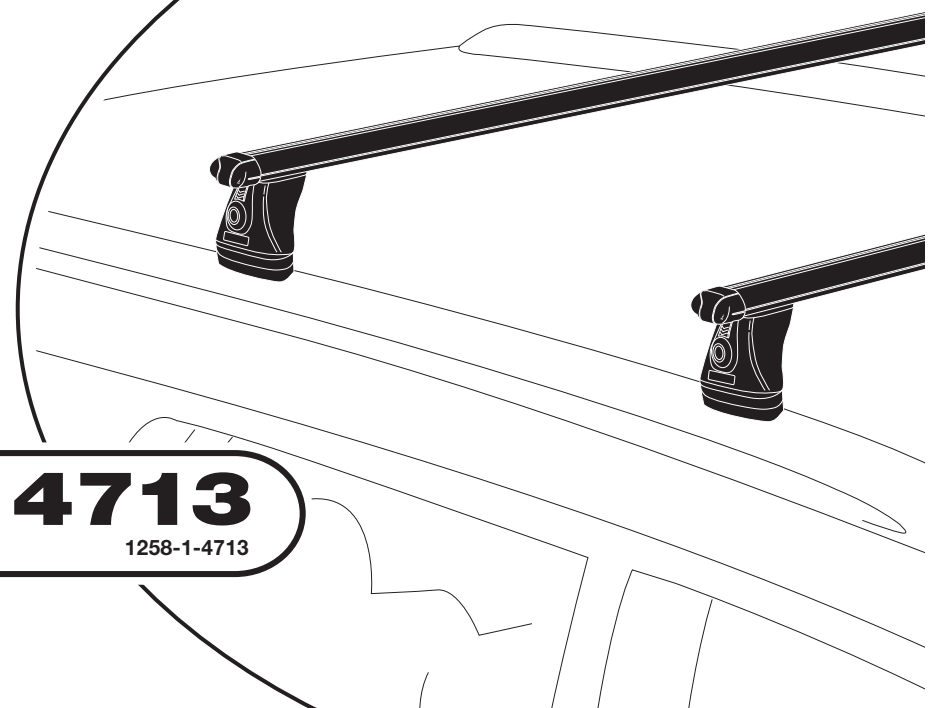


THULE[®]
SWEDEN

SUBARU Forester, Estate, 02-

- | | |
|---------------------------------------|-------------------------------------|
| GB Fitting instructions | SK Návod na montáž |
| D Montageanleitung | SLO Navodila za pritrjevanje |
| F Instructions de montage | HR Uputa za sastavljanje |
| NL Montage-instructies | HU A felszerelés módja |
| I Istruzioni per il montaggio | GR Οδηγίες συναρμολόγησης |
| E Instrucciones de montaje | TR Montaj talimatları |
| PT Instruções de Montagem | 中文 安装说明 |
| S Monteringsanvisning | 日本語 取扱(取付)説明書 |
| FIN Asennusohje | 한국어 장착 지침 |
| EST Paigaldusjuhend | ไทย คำแนะนำการติดตั้ง |
| LAT Stiprināšanas instrukcija | |
| LIT Pritvirtinimo instrukcijos | |
| PL Instrukcja montażu | |
| RU Инструкции по установке | |
| CZ Návod na montáž | |

RAPID TRACKER




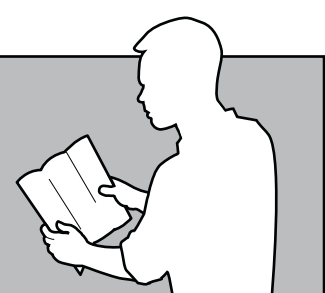
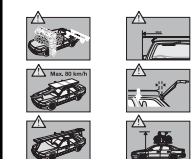
THULE[®]
SWEDEN
Box 69, 330 33 Hillerstorp, SWEDEN
www.thule.com

551*3DF2/501-6887-02B

Follow me...

THULE

GB Security regulations
 D Sicherheits-Vorschriften
 F Instructions importantes
 NL Veiligheidsvoorschriften
 I Norme di sicurezza
 E Reglas de seguridad
 PT Normas de segurança
 S Säkerhetsföreskrifter
 FIN Turvallisuusohjeet
 EST Ohutusjuhised
 LAT Drošības noteikumi
 LIT Saugumo taisyklės
 PL Instrukcja bezpieczeństwa
 RU Инструкция по безопасности
 CZ Návod na montáž
 SK Bezpečnostné predpisy
 SLO Varnostni predpisi
 HR Pravila sigurnosti
 HU Biztonsági előírások
 GR Κοινωνικοί Αποδέκτες
 TR Güvenlik kuralları
 中文 安全提示
 中文 安全提示
 中文 安全提示

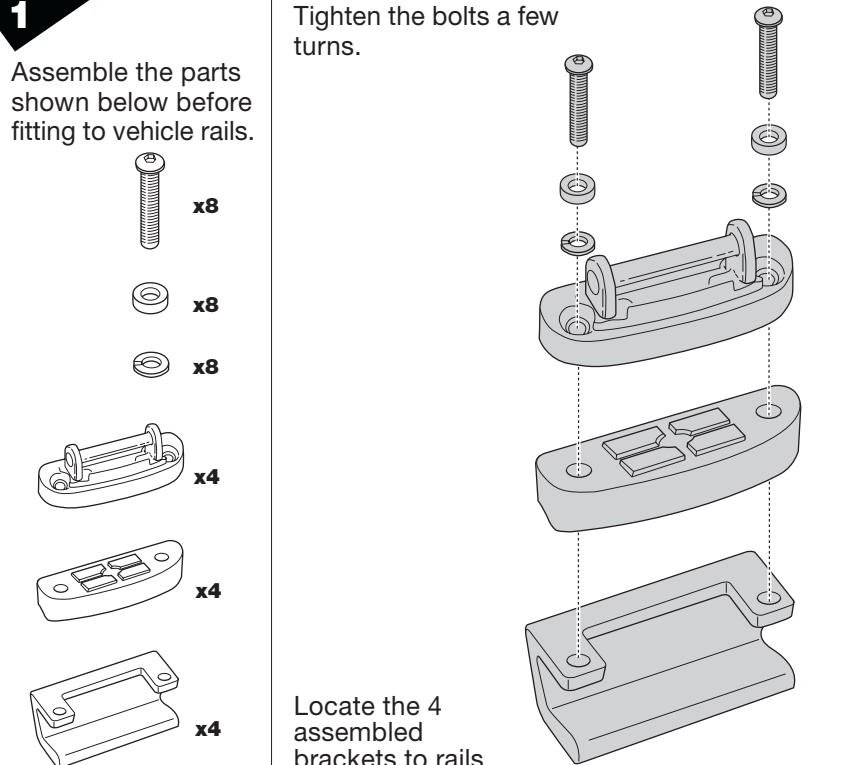
1

Assemble the parts shown below before fitting to vehicle rails.

Tighten the bolts a few turns.

Locate the 4 assembled brackets to rails.

x8
x8
x8
x4
x4
x4



2

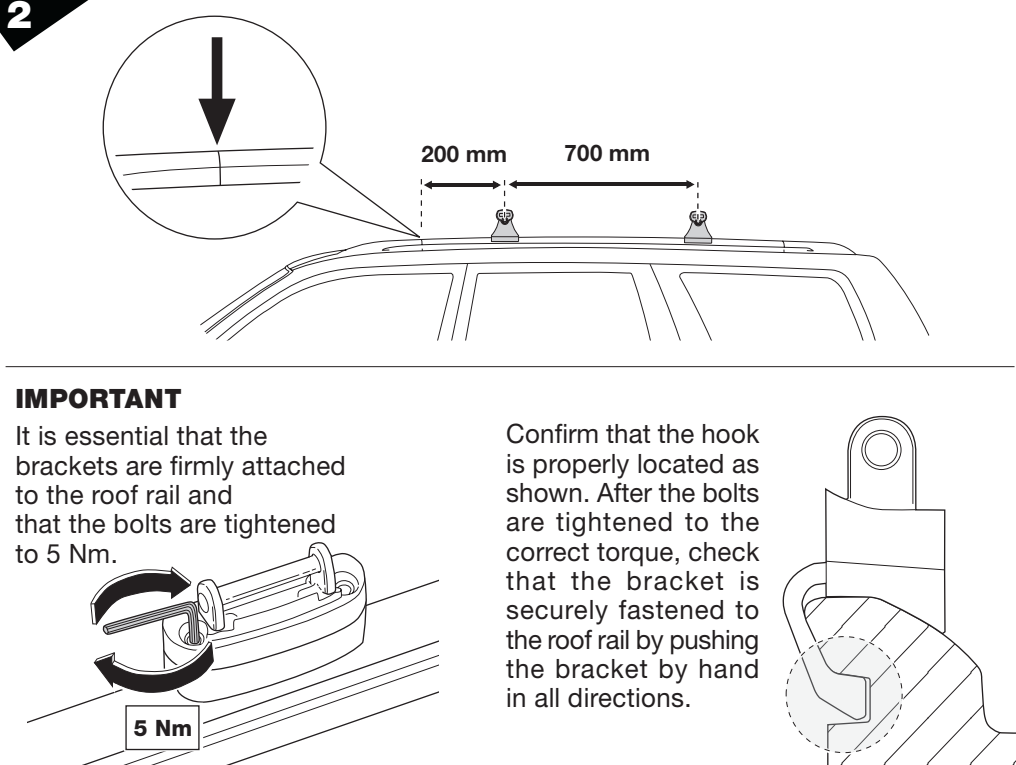
IMPORTANT

It is essential that the brackets are firmly attached to the roof rail and that the bolts are tightened to 5 Nm.

Confirm that the hook is properly located as shown. After the bolts are tightened to the correct torque, check that the bracket is securely fastened to the roof rail by pushing the bracket by hand in all directions.

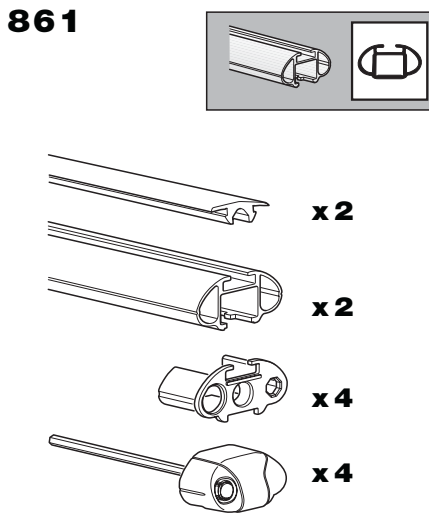
5 Nm

200 mm 700 mm



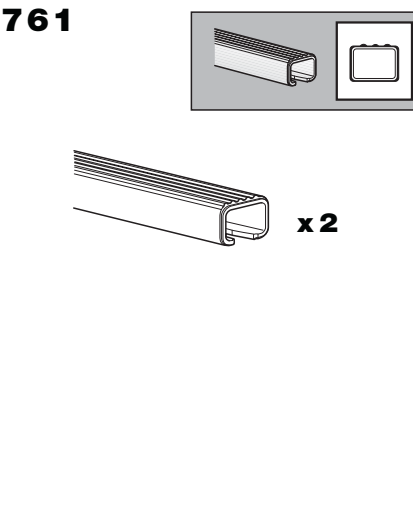
861

x2
x2
x4
x4



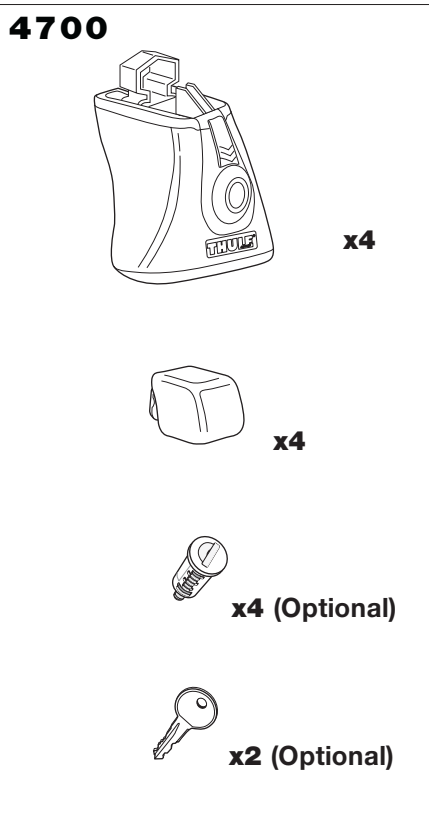
761

x2



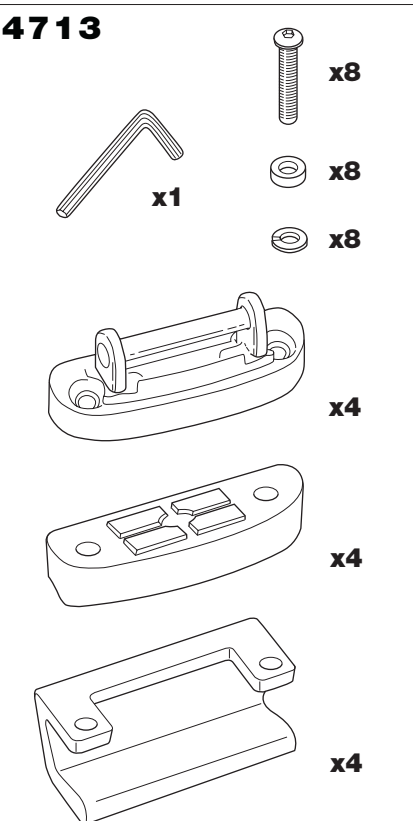
4700

x4
x4
x4 (Optional)
x2 (Optional)



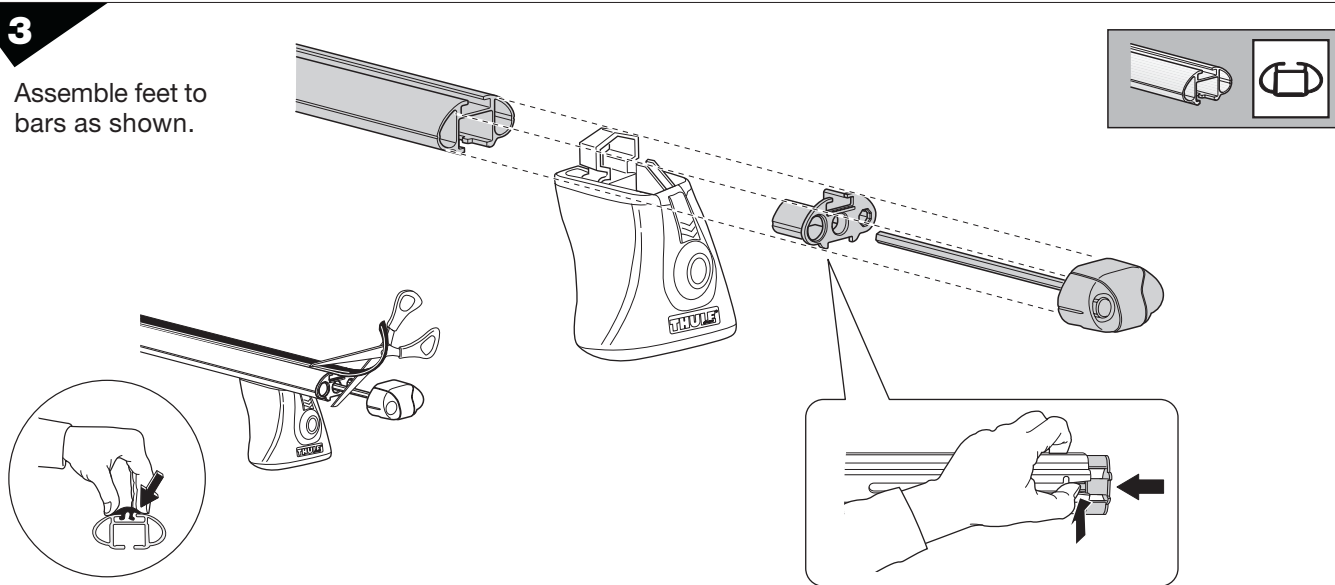
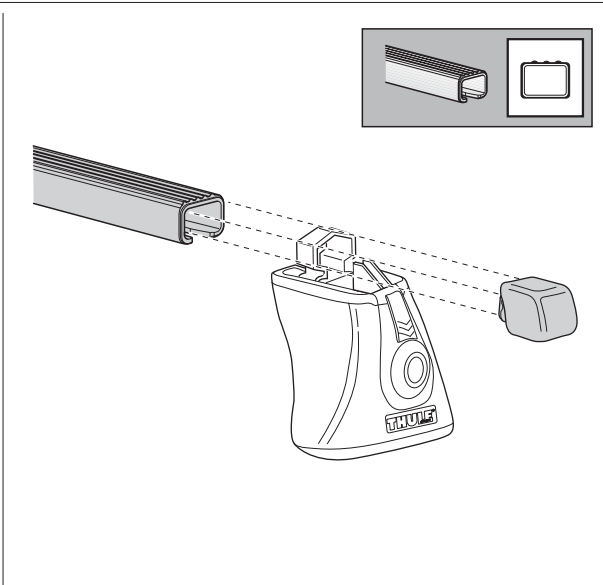
4713

x1
x8
x8
x8
x4
x4
x4
x4



3

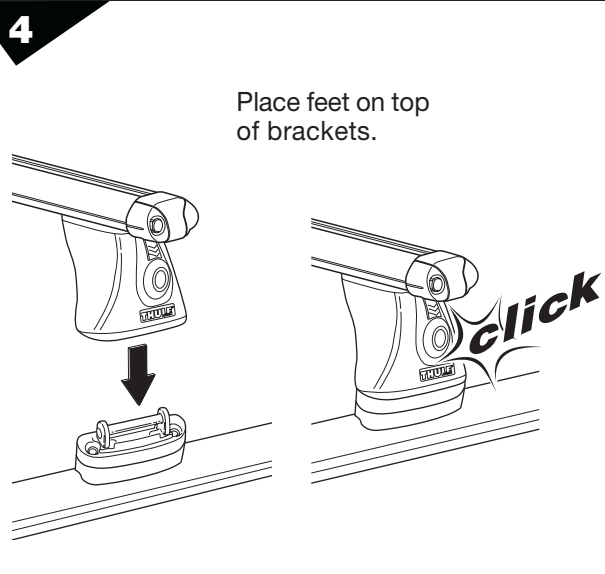
Assemble feet to bars as shown.

4

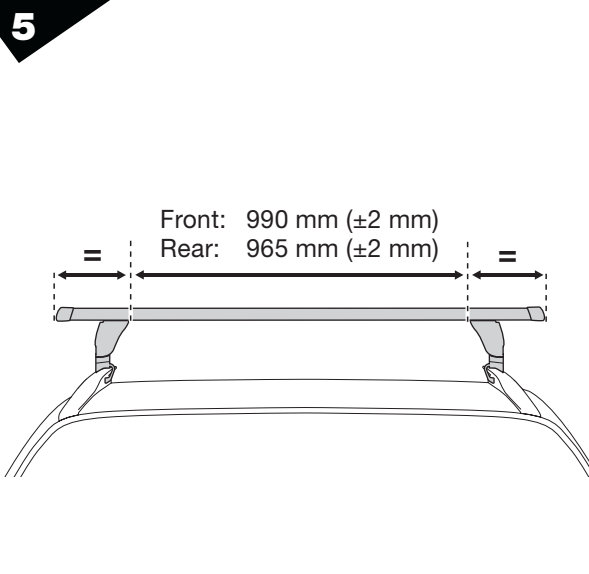
Place feet on top of brackets.

click



5

Front: 990 mm (±2 mm)
 Rear: 965 mm (±2 mm)



IMPORTANT

Secure feet very firmly onto the cross bars by tightening the screw with the supplied allen key to 2.5 Nm. The screw is located behind the lock tab and will be revealed by pushing it down, see diagram point 2.

2,5 Nm

