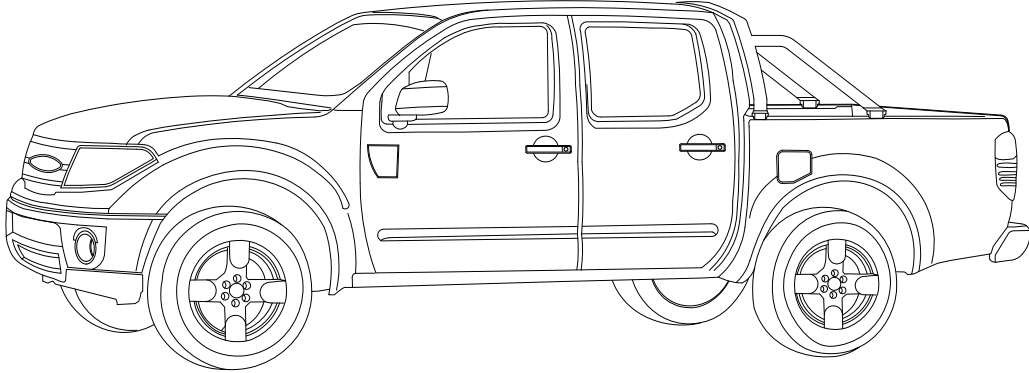


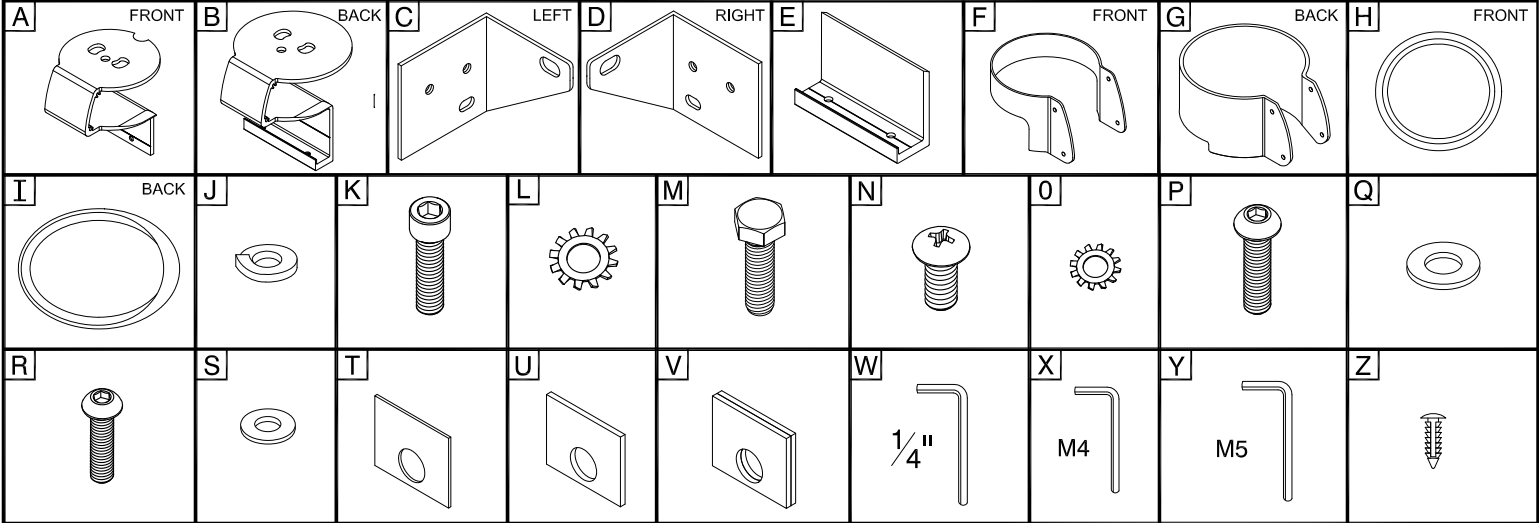
# QwikFoot™

## INSTALLATION GUIDE FORD RANGER - QF127

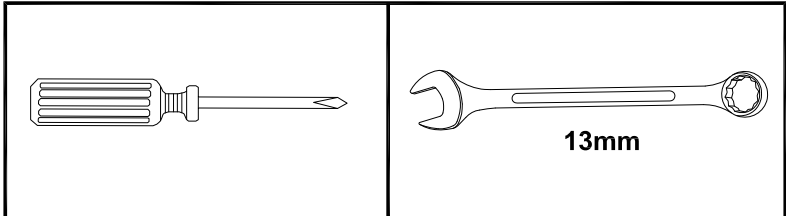


### PARTS LIST

Item	Part Name	Qty.	Item	Part Name	Qty.	Item	Part Name	Qty.
A	QwikFoot Bracket (Front)	2	J	5/16" Lock Washer	4	S	M6 Flat Washer	2
B	QwikFoot Bracket (Back)	2	K	5/16-18 Socket Screw	4	T	1/16" Shim	2
C	Front Left Corner Bracket	1	L	M8 External Tooth Washer	10	U	1/8" Shim	2
D	Front Right Corner Bracket	1	M	M8 x 30mm Hex Head Cap	8	V	1/4" Shim	2
E	QwikFoot Bed Clamp	2	N	1/4-20x1/2" Truss Head Screw	4	W	1/4" Short Arm Hex Key	1
F	QwikFoot Sleeve (Front)	2	O	1/4-20 External Tooth Washer	4	X	M4 Short Arm Hex Key	1
G	QwikFoot Sleeve (Back)	2	P	M8x40mm Button Head Screw	2	Y	M5 Short Arm Hex Key	1
H	Trim Ring (Front)	2	Q	M8 Flat Washer	2	Z	QF Sleeve Fastener	16
I	Trim Ring (Back)	2	R	M6x40mm Button Head Screw	2			

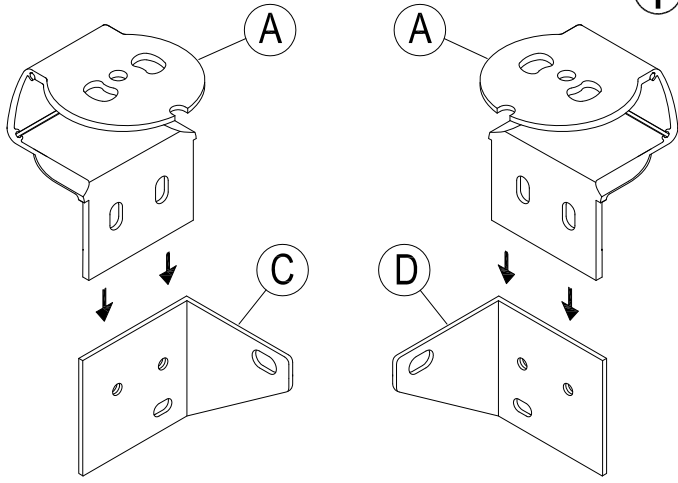


### TOOLS NEEDED

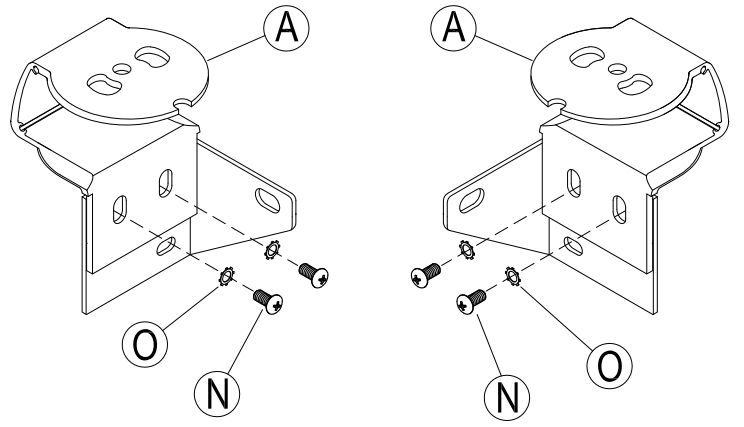


1 LHS = RHS

1

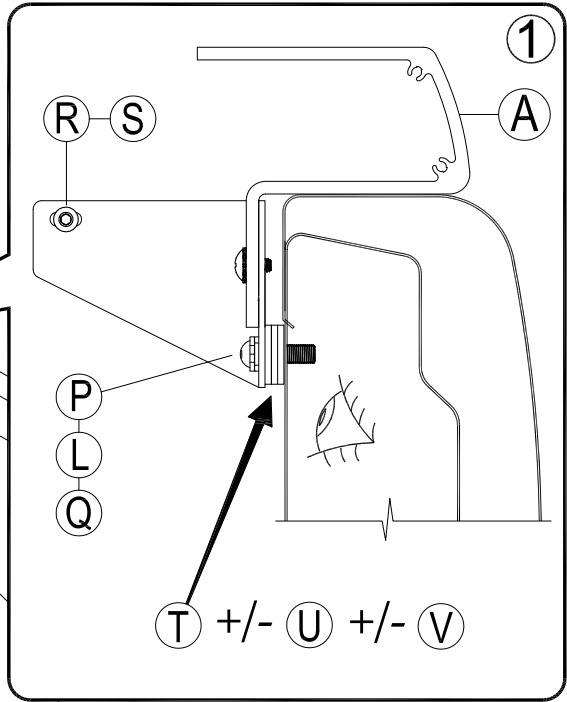
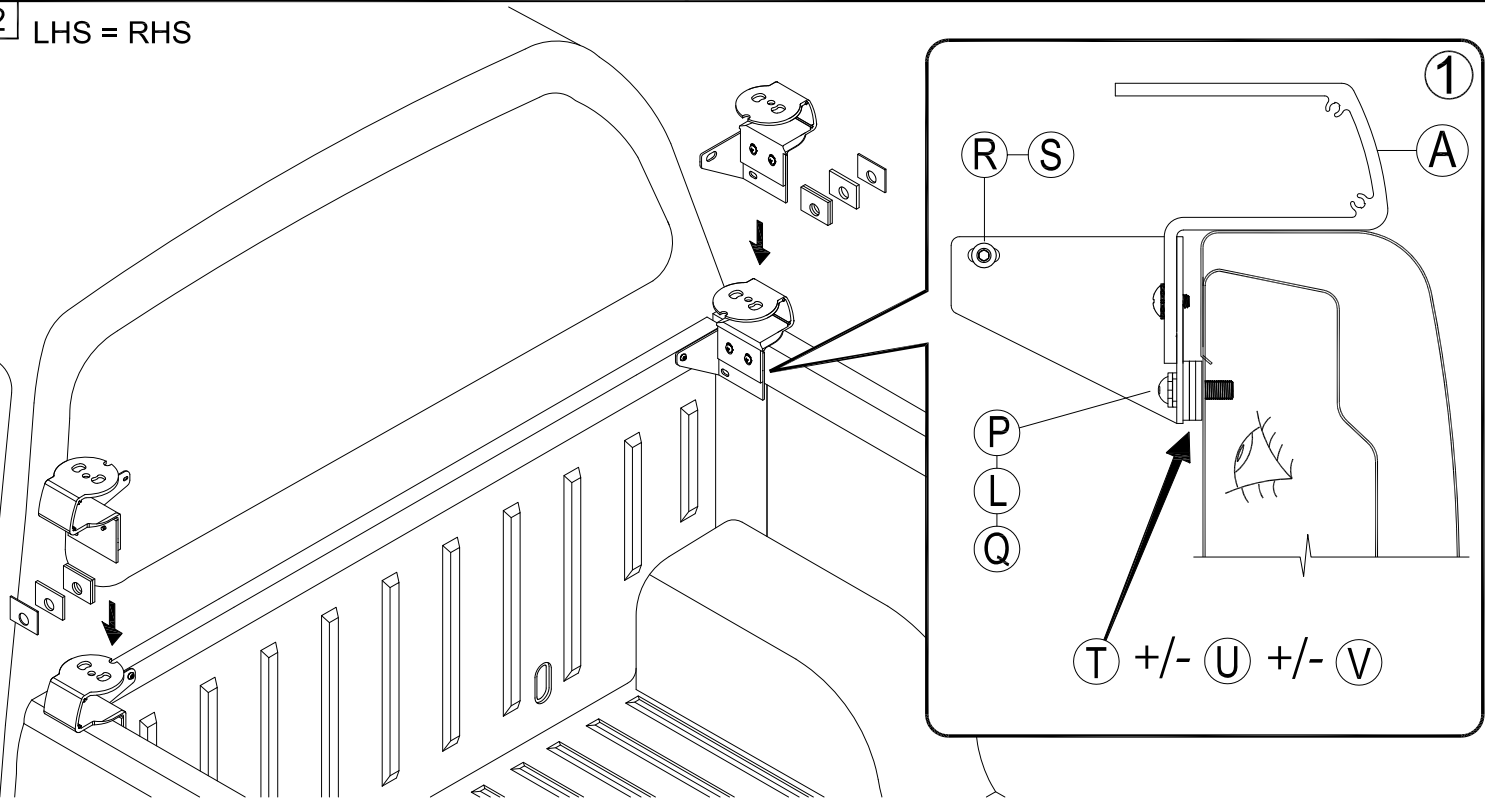


2

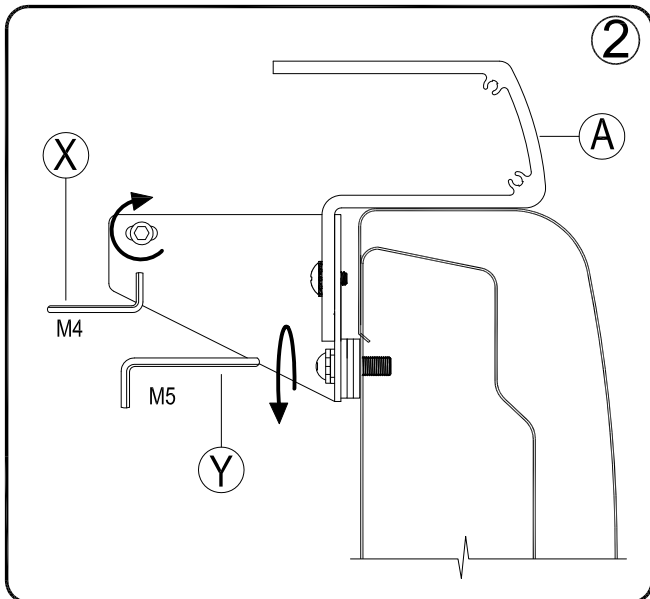


2 LHS = RHS

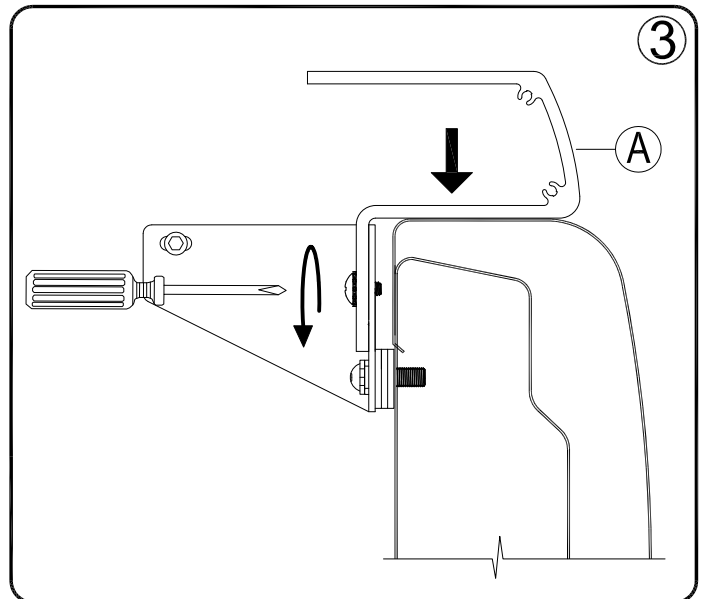
1



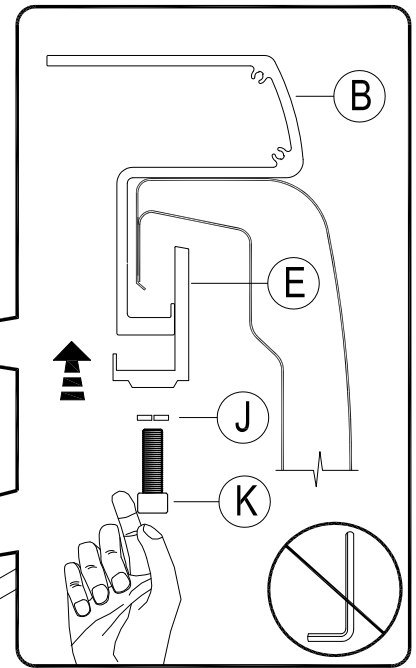
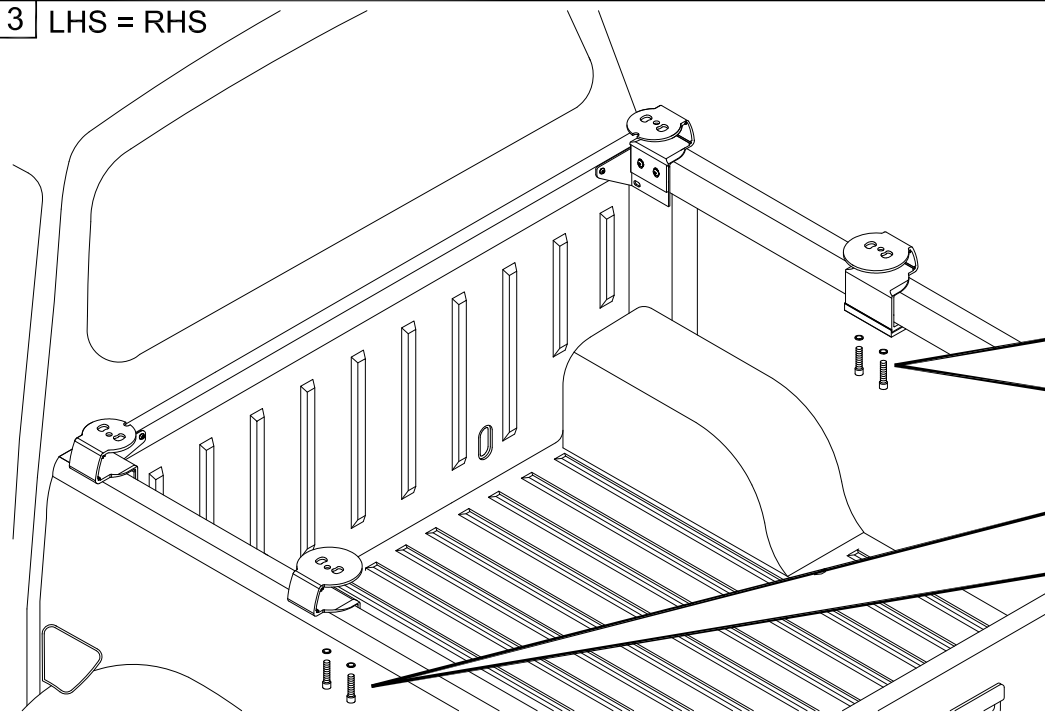
2



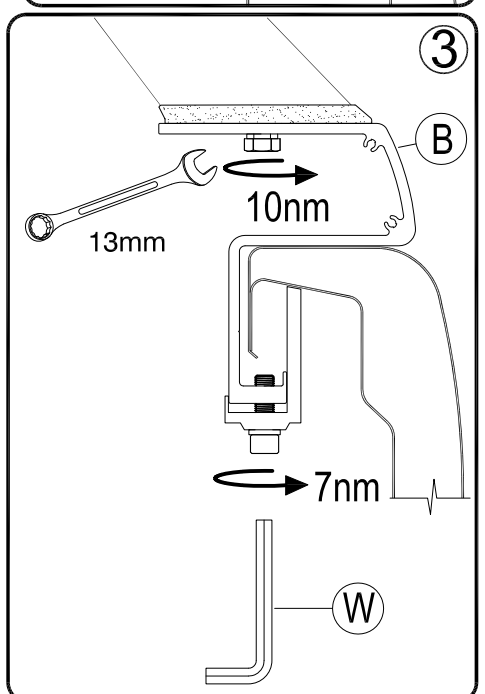
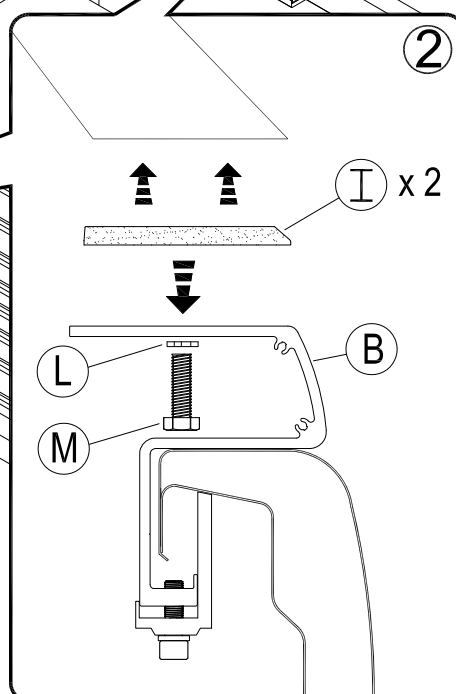
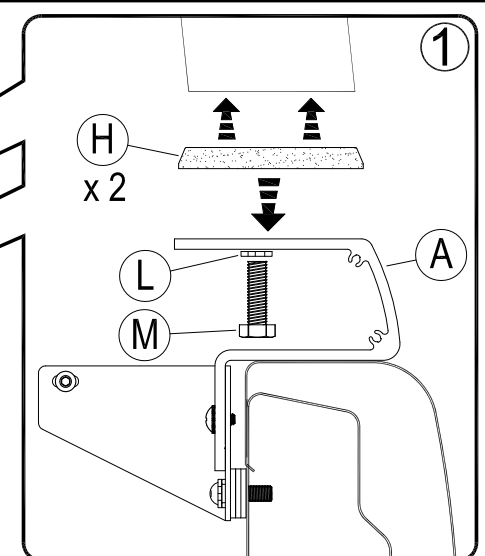
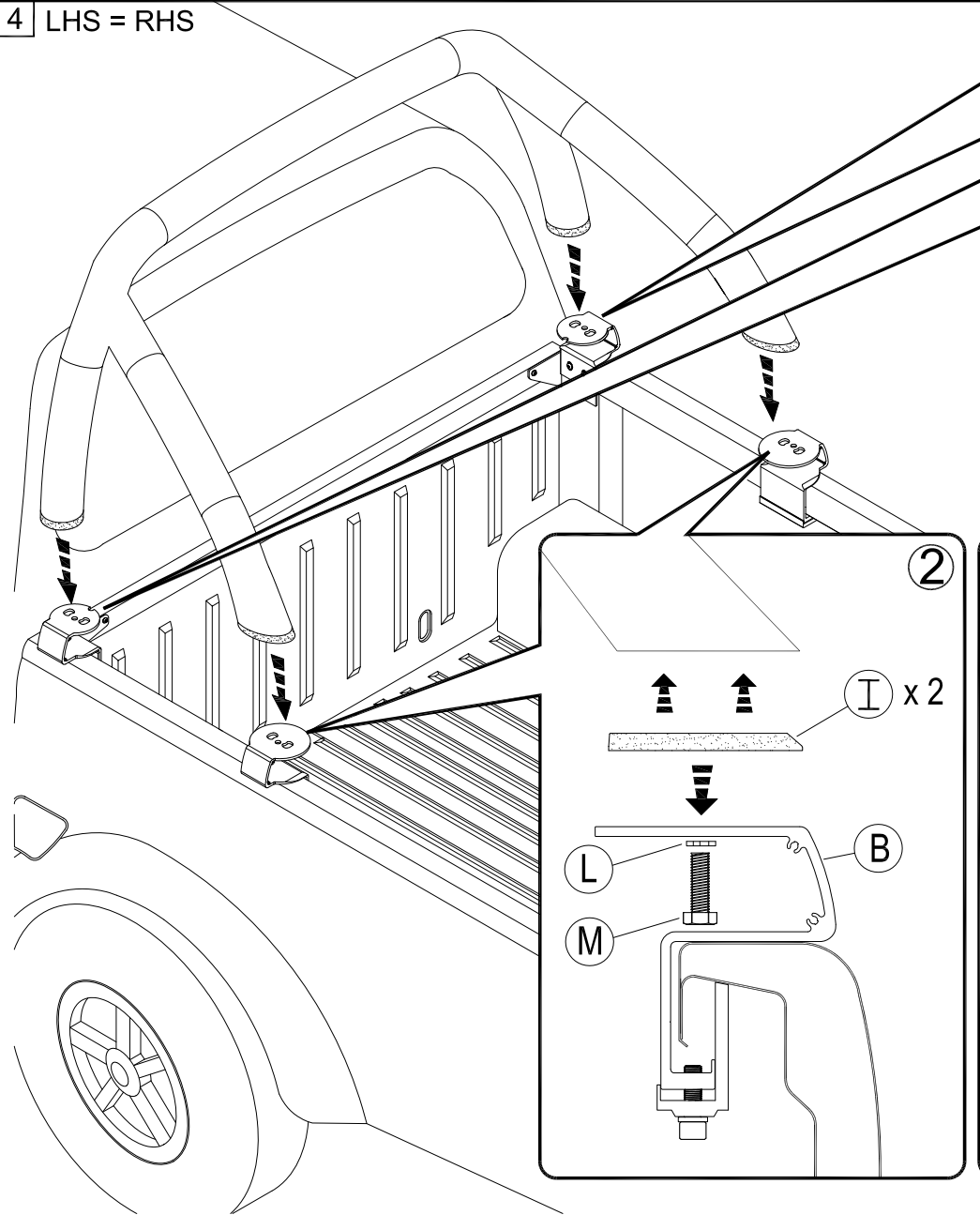
3

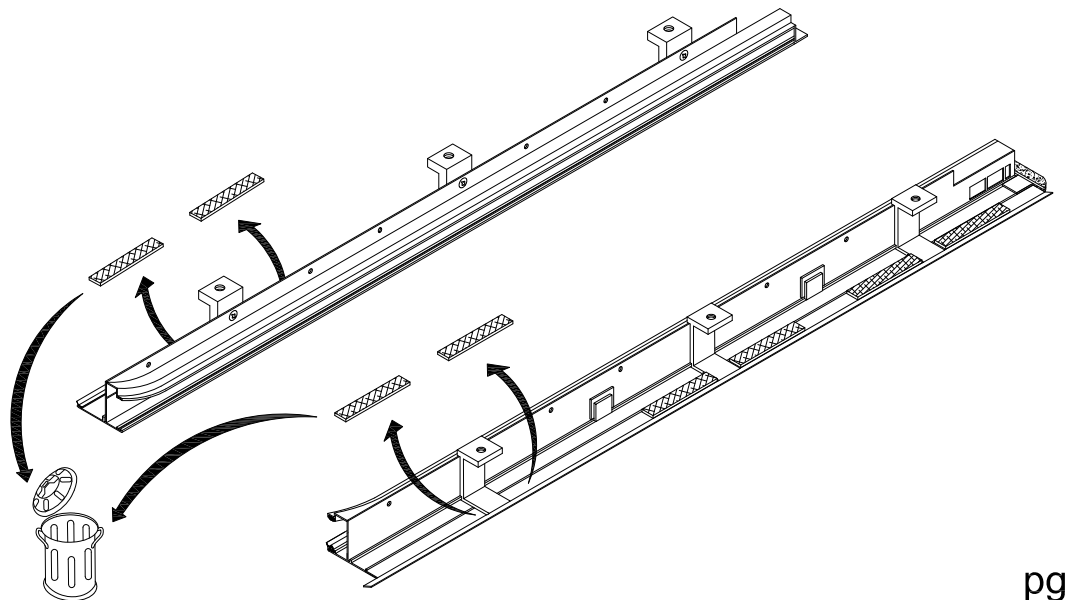
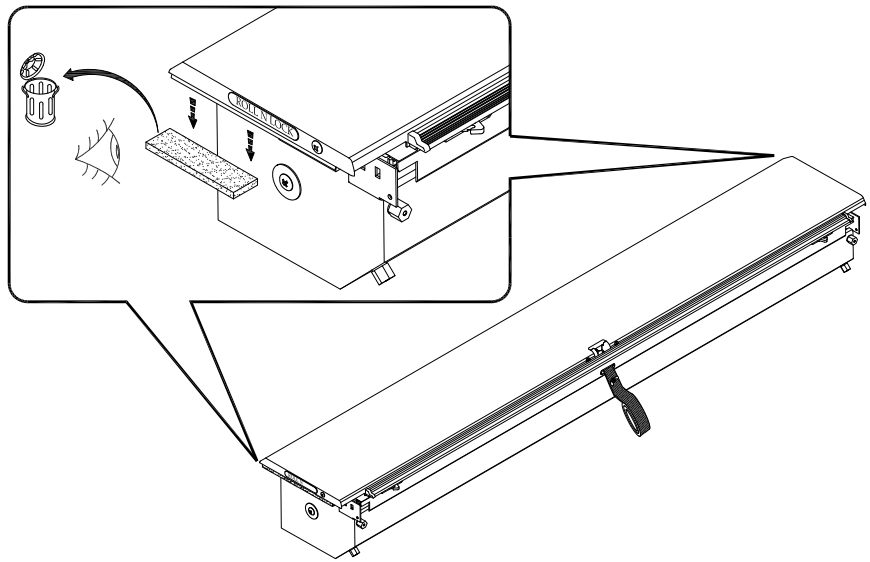
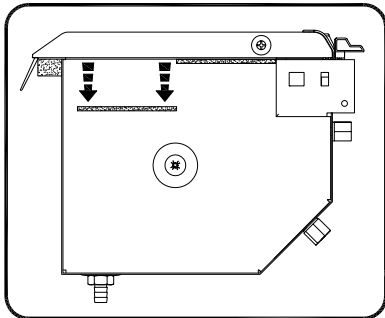
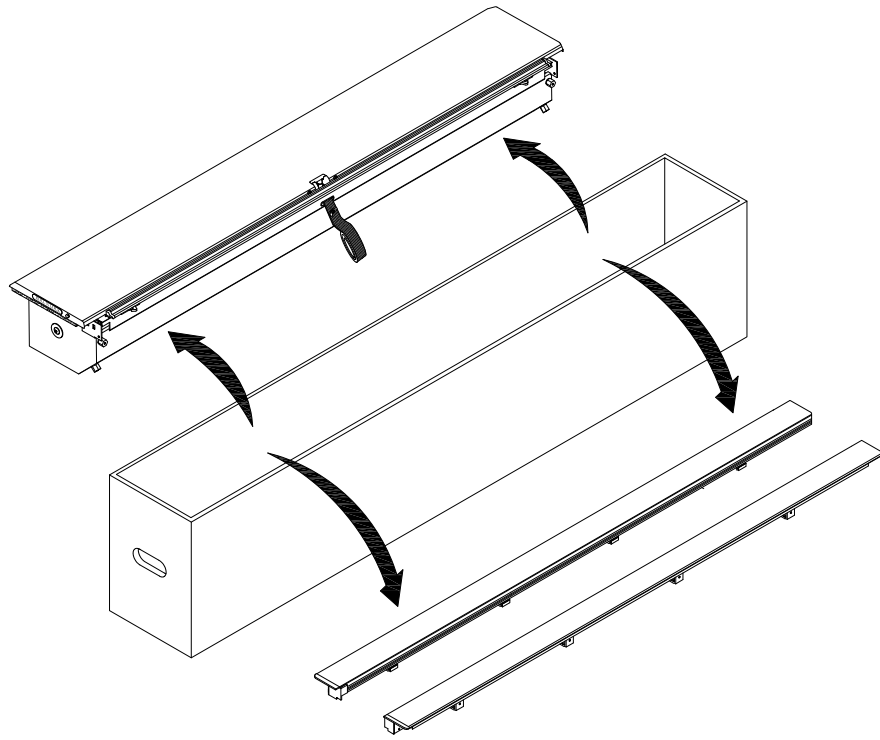


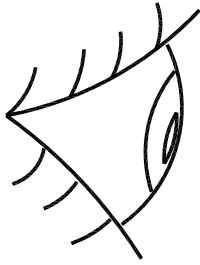
3 LHS = RHS



4 LHS = RHS







## INSTALL ROLL·N·LOCK:

**ROLL·N·LOCK®**

**2012 FORD RANGER**



DOUBLE CAB LG127M

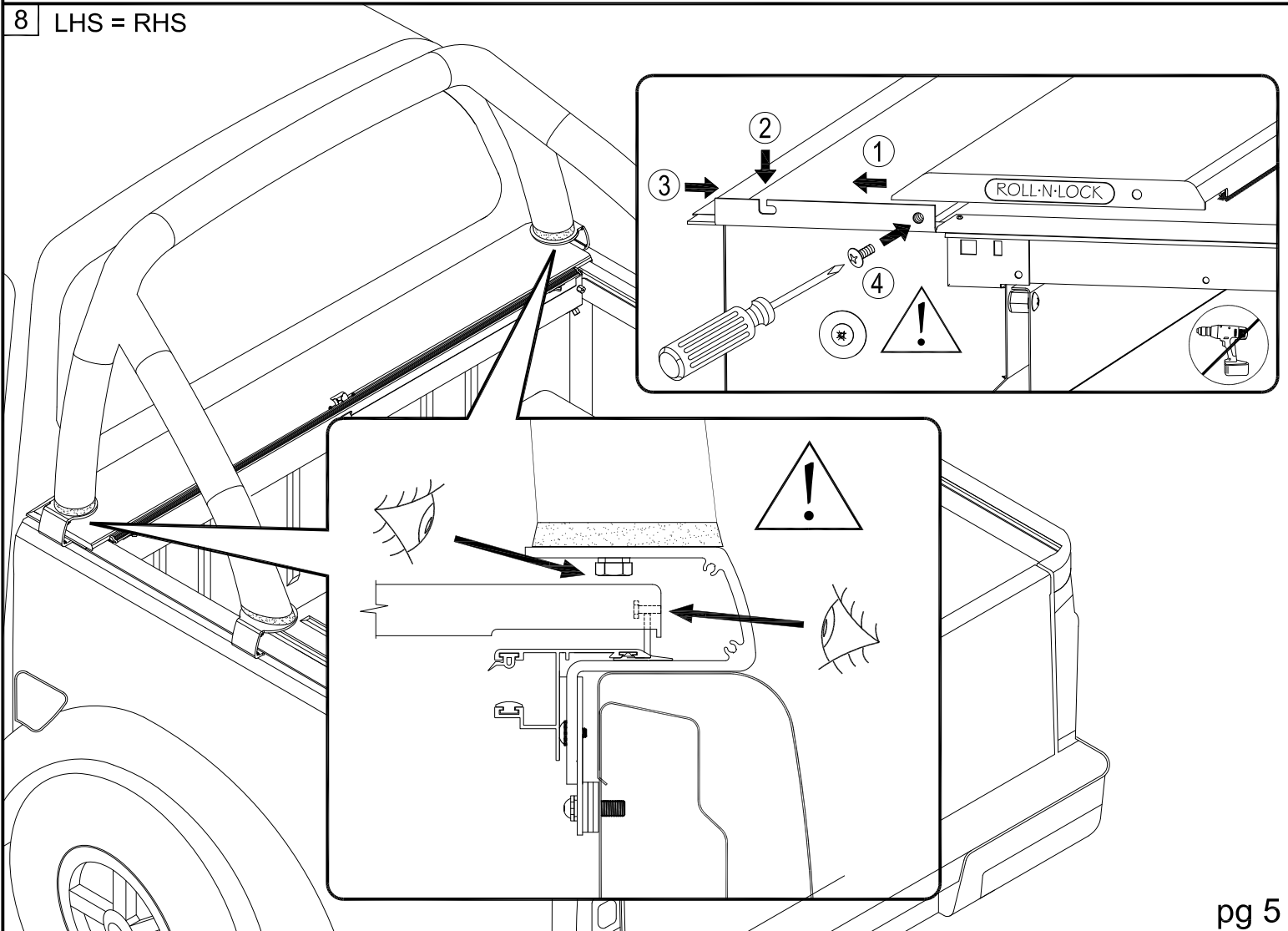


EXTENDED CAB LG129M

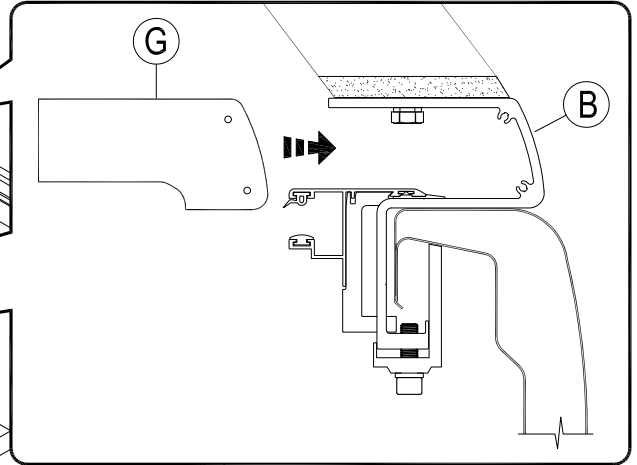
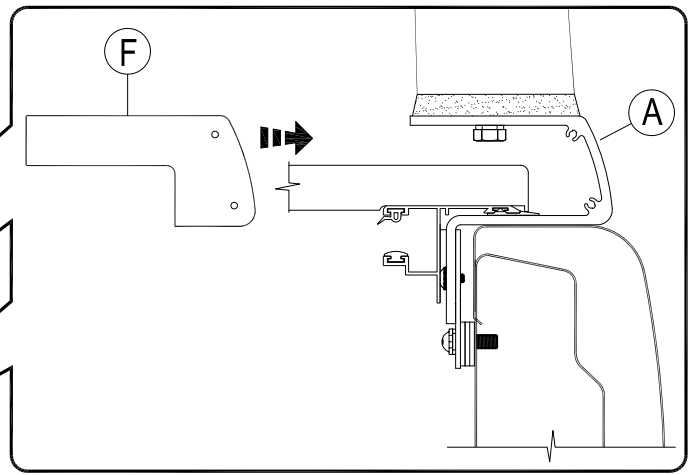
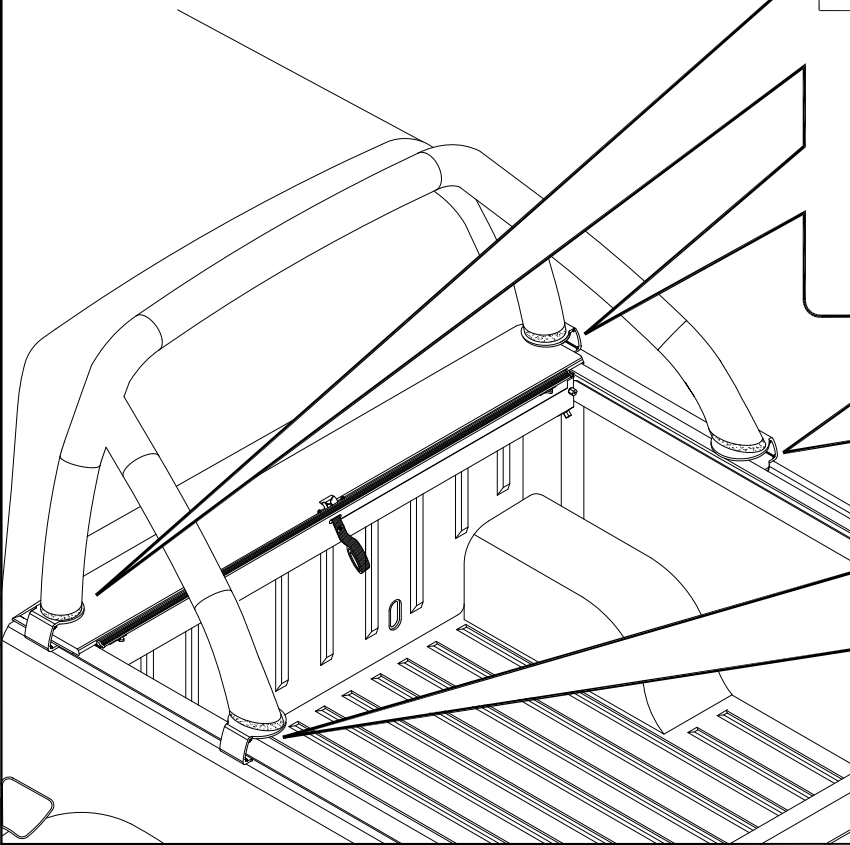
<b>GB</b>	ROLL-N-LOCK Tonneau Cover	<b>NO</b>	ROLL-N-LOCK Tonneau Cover
<b>BG</b>	ROLL и LOCK Tonneau Cover	<b>PL</b>	ROLKI N-LOCK Tonneau Cover
<b>HR</b>	Roll i LOCK pokrovom	<b>PT</b>	ROLO E FECHADURA COBERTURA DE TONNEAU
<b>CZ</b>	ROLL a LOCK kryt zavazadlového prostoru	<b>RO</b>	ROLL și de a bloca Tonneau Cover
<b>DK</b>	ROLL-N-LOCK Tonneau Cover	<b>RU</b>	РУЛОН И ПОКРЫТИЕ TONNEAU ЗАМКА
<b>NL</b>	BROODJE-N-SLOT de Dekking van Tonneau	<b>SK</b>	ROLL A LOCK kryt batozinového priestoru
<b>FI</b>	RO-N-LOCK Tonneau kanssi	<b>SI</b>	ROLL IN LOCK Tonneau Cover
<b>FR</b>	ROULEAU ET LOCK Tonneau Cover	<b>ES</b>	RUEDA y la CERRADURA Tonneau Cubieta
<b>DE</b>	ROLLEN sie und SCHLOB Tonneau Kappe	<b>SE</b>	ROLL-N-LOCK Tonneau Täcker
<b>GR</b>	Κάλυψη Tonneau ρόλος-υ-ΚΛΕΙΔΑΡΙΩΝ	<b>TR</b>	RULO-N-LOCK Tonneau Kapak
<b>HU</b>	ROLL és LOCK platfedél	<b>UA</b>	ROLL i замок кришки Tonneau
<b>IS</b>	Rúlla og Læsa Tonneau Kápa	<b>AR</b>	كشاة تونو للوك tonneau الله ... الخدين
<b>IT</b>	ROTOLO e SERRATURA Tonneau Coperta	<b>IL</b>	טון-נל-נעל עמוד שער של Tonneau

SEPTEMBER 20, 2012

8 LHS = RHS



9 LHS = RHS



10 LHS = RHS

