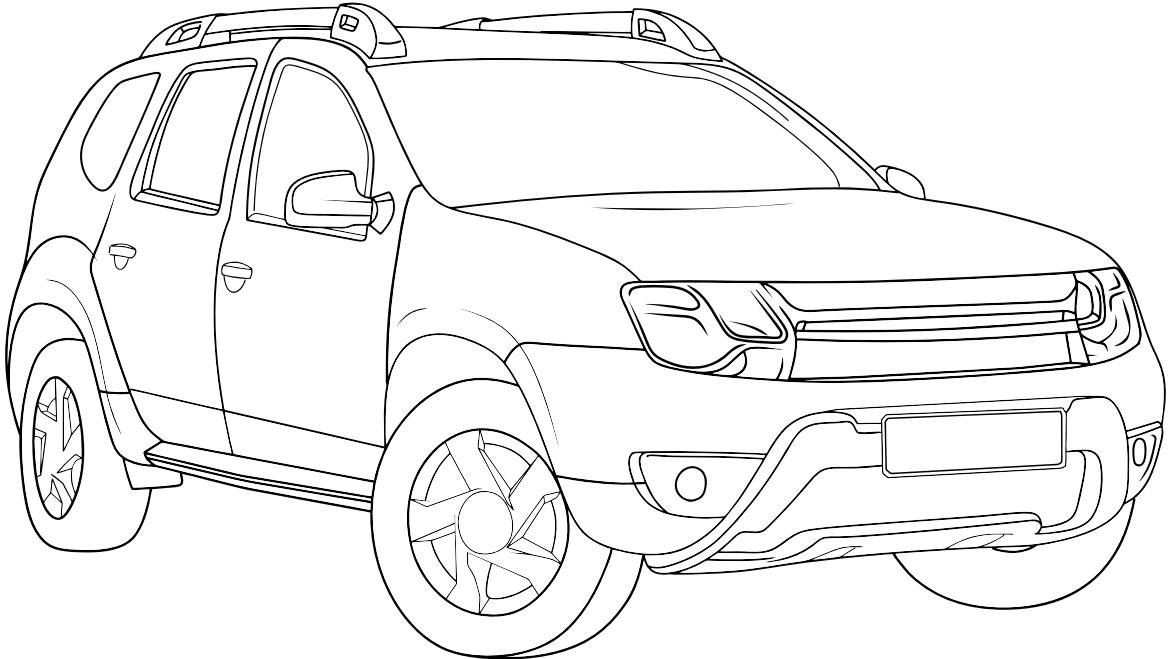


SC 71 105 011



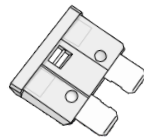
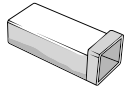
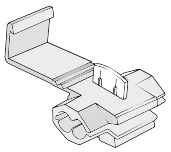
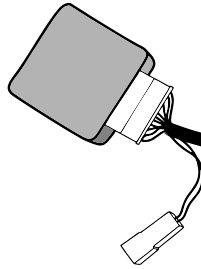
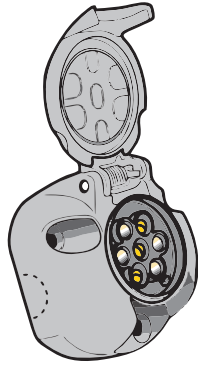
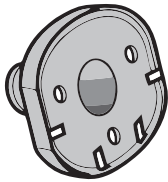
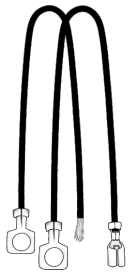
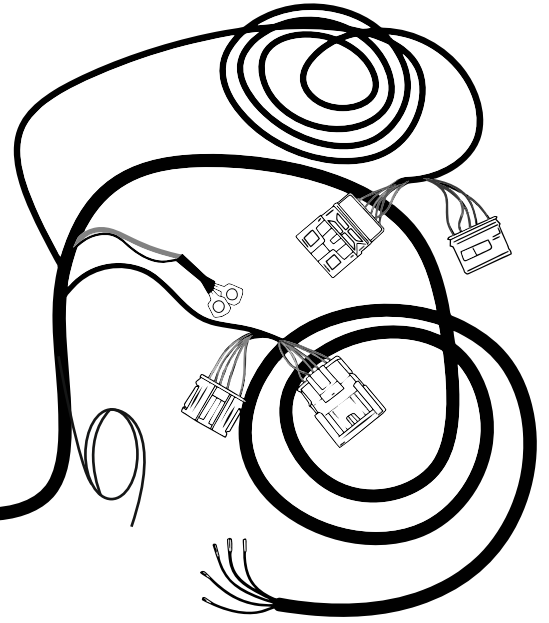
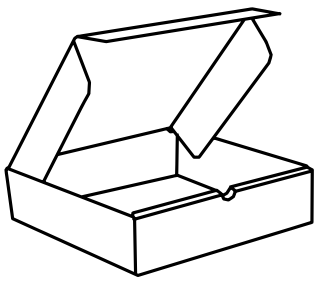
7-
(9200-76)



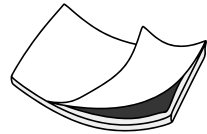
Renault Duster 2015-2021

- 1.
- 2.
- 3.
- 4.

!



3x

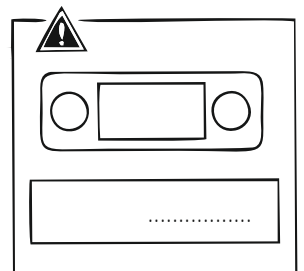
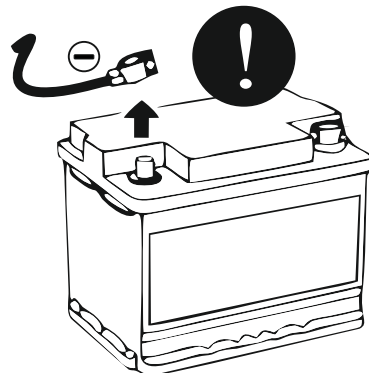


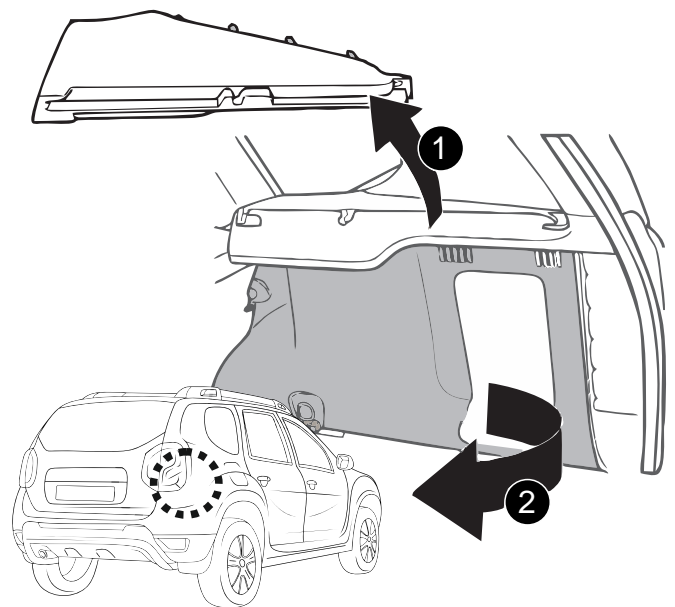
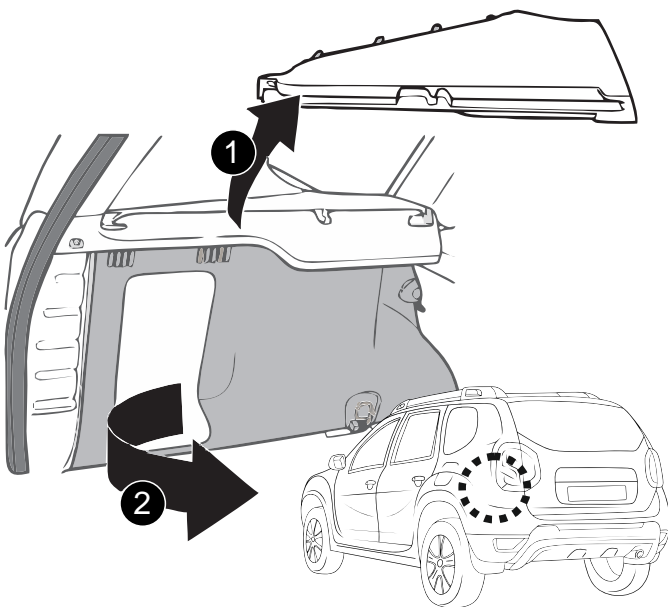
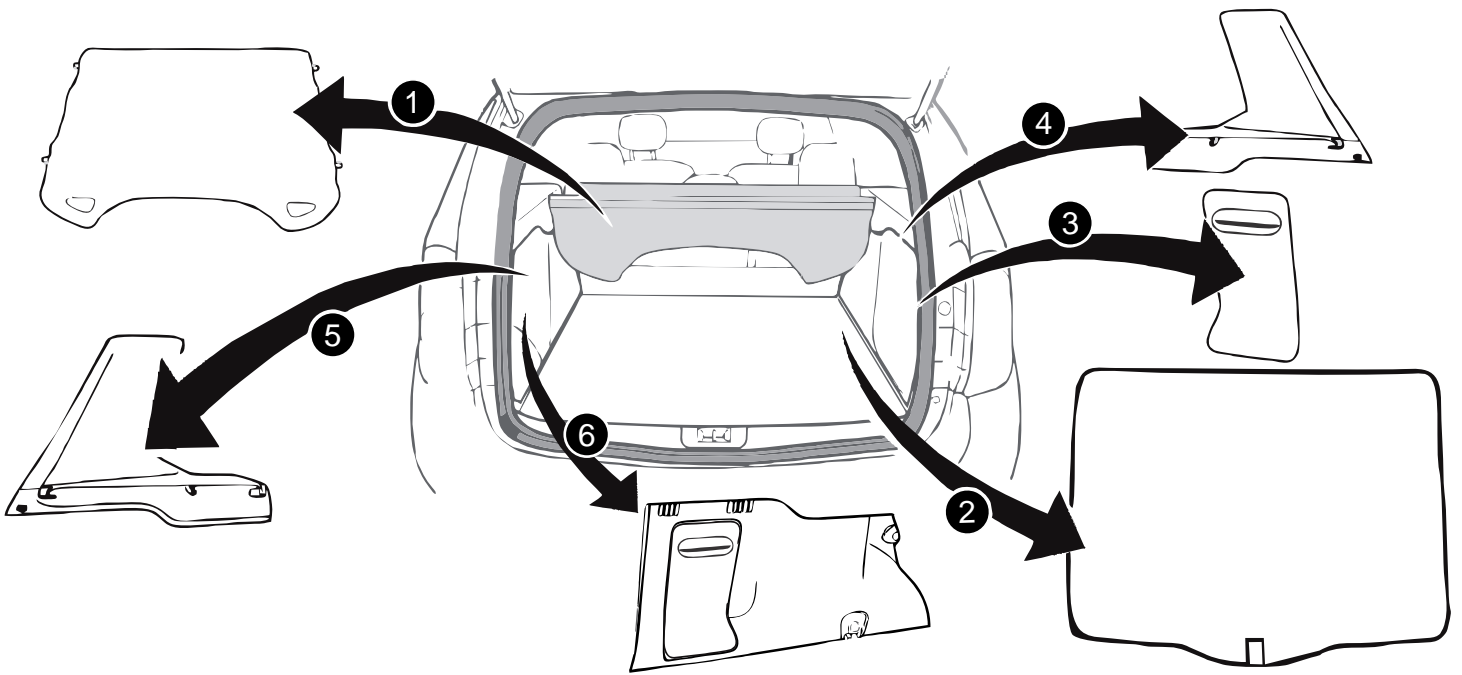
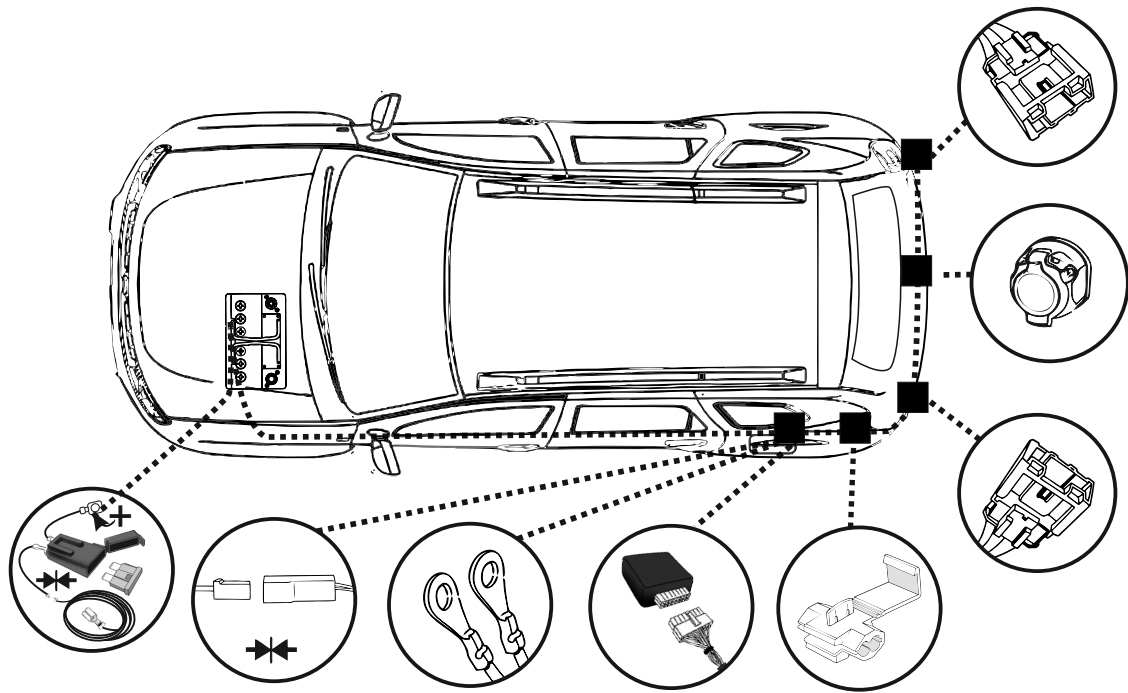
!

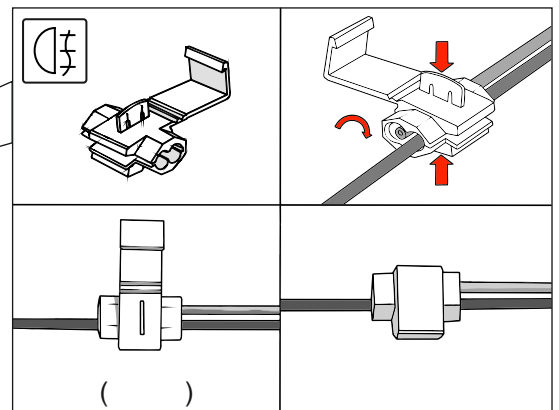
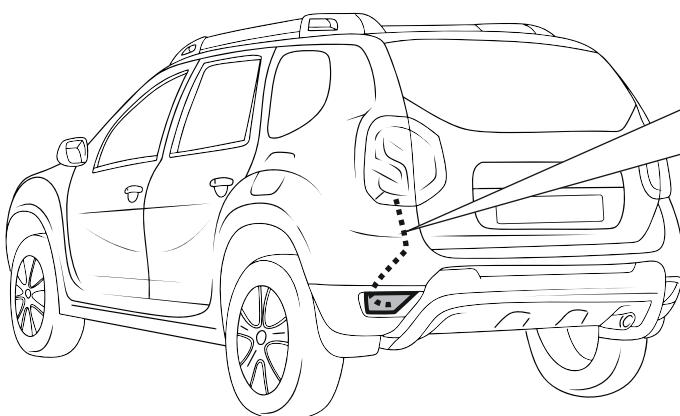
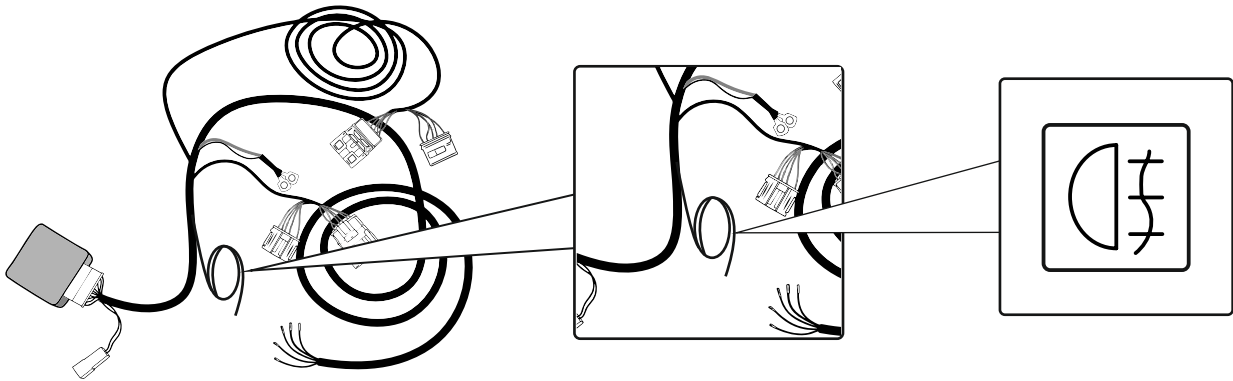
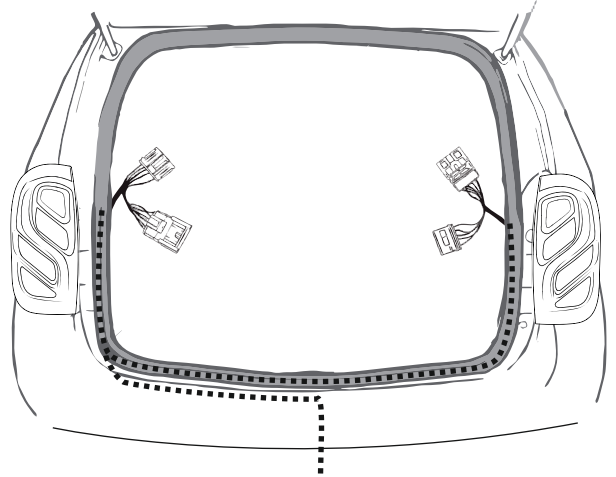
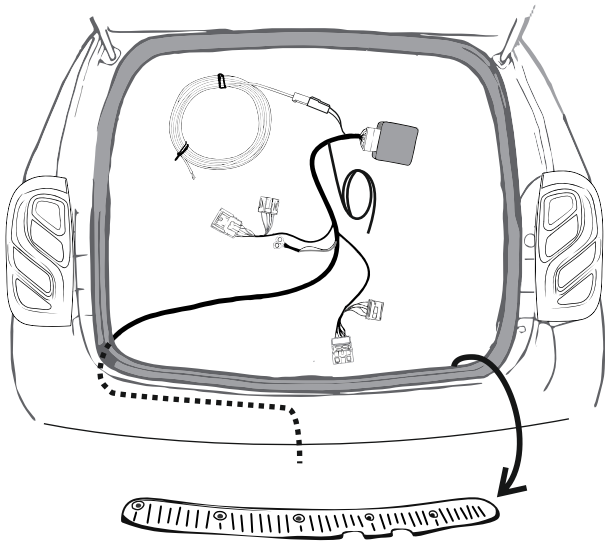
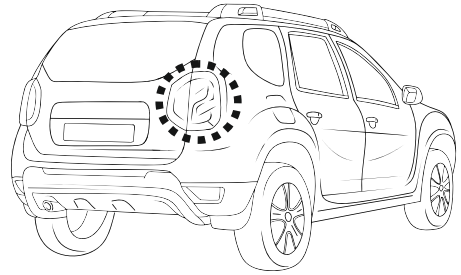
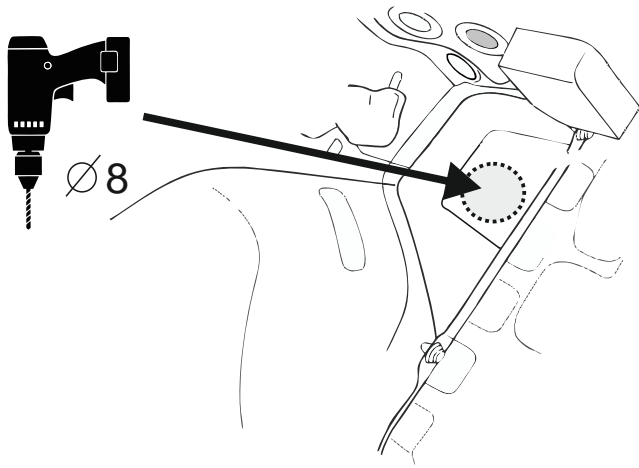
!

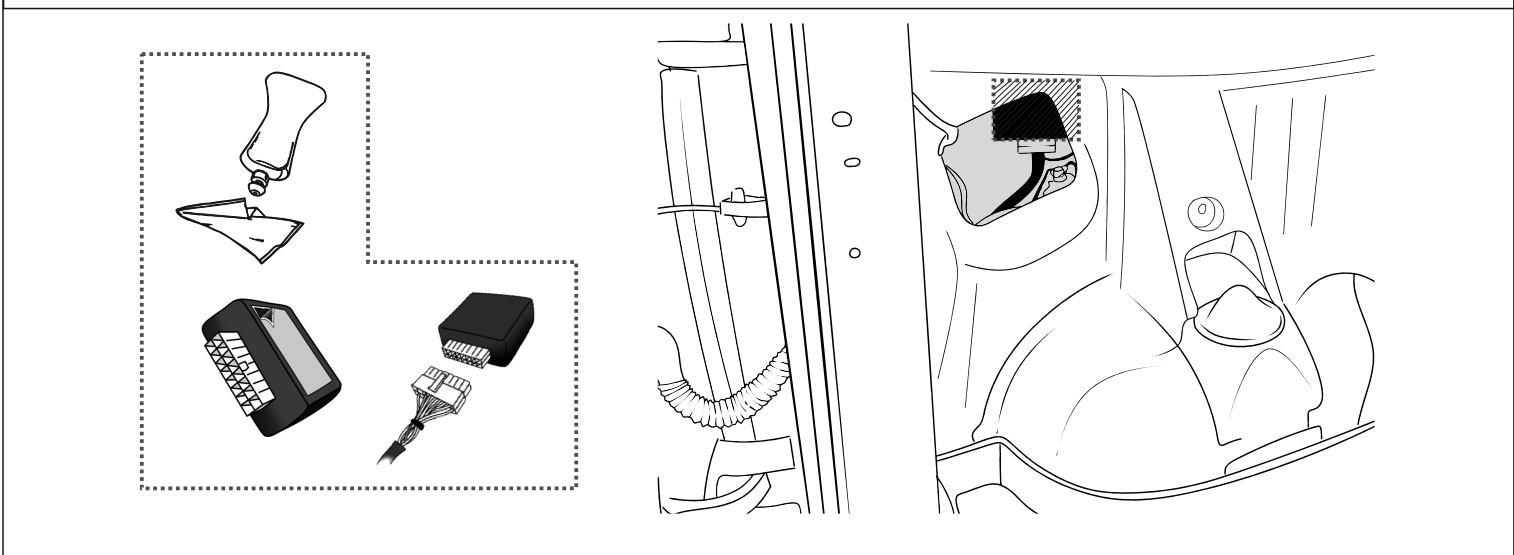
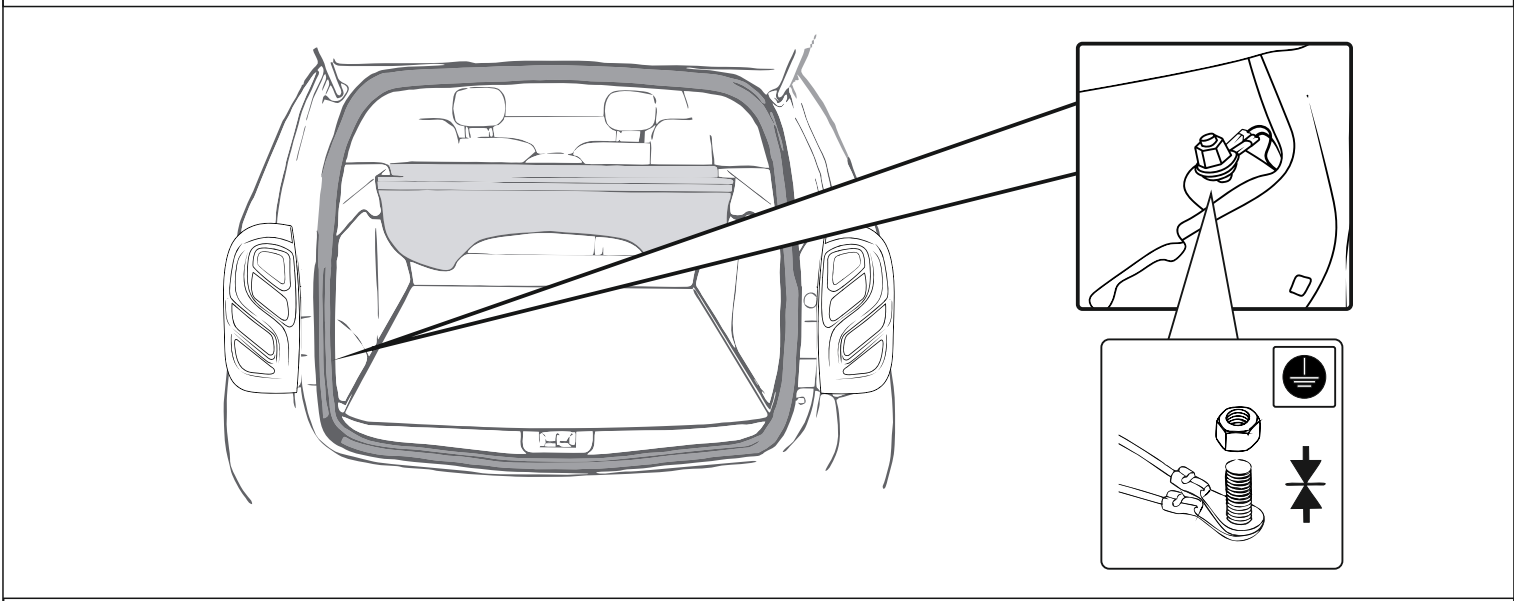
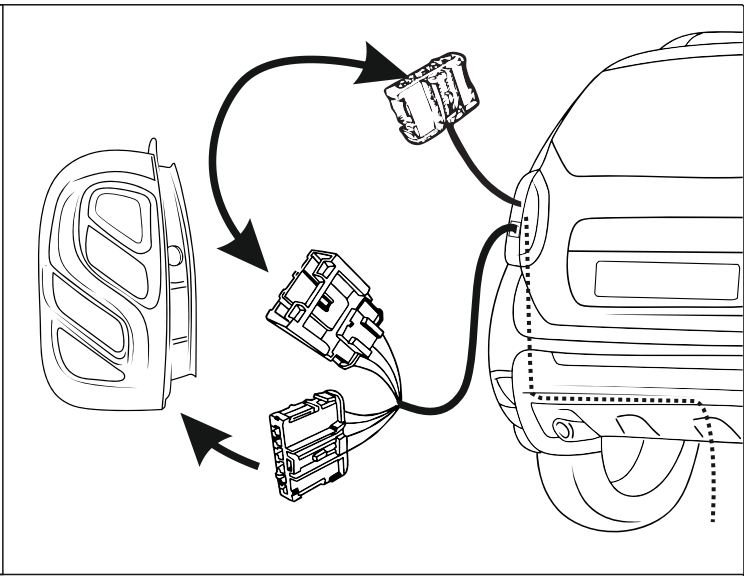
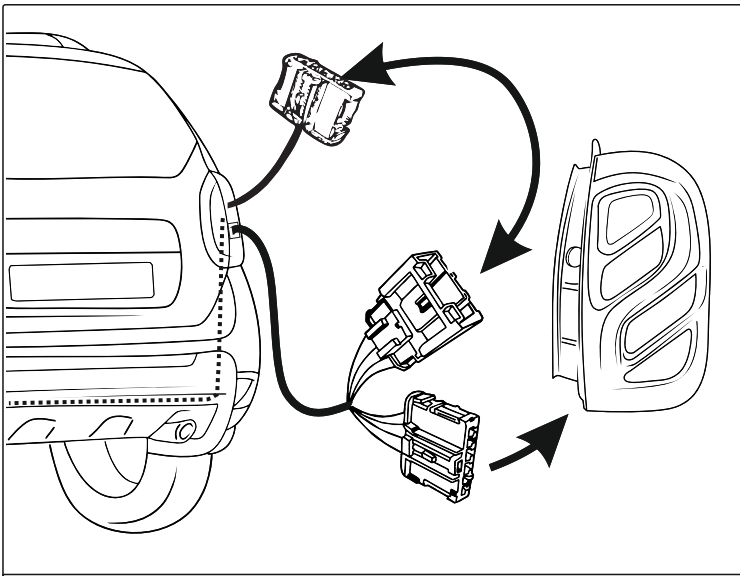
(! CODE ())

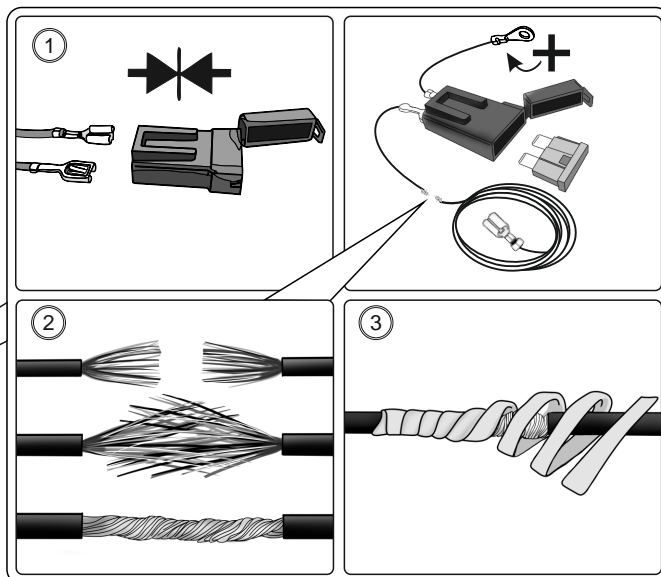
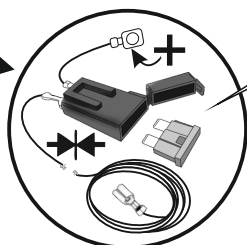
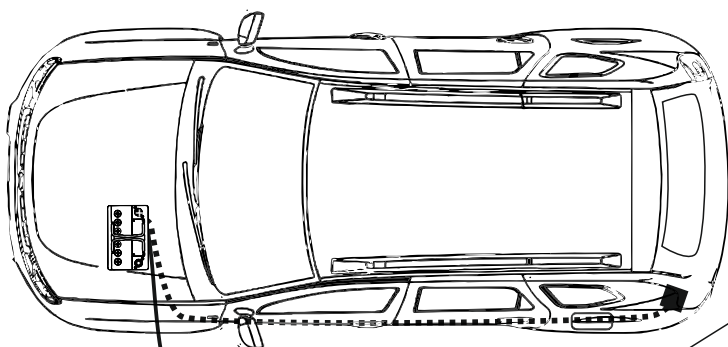
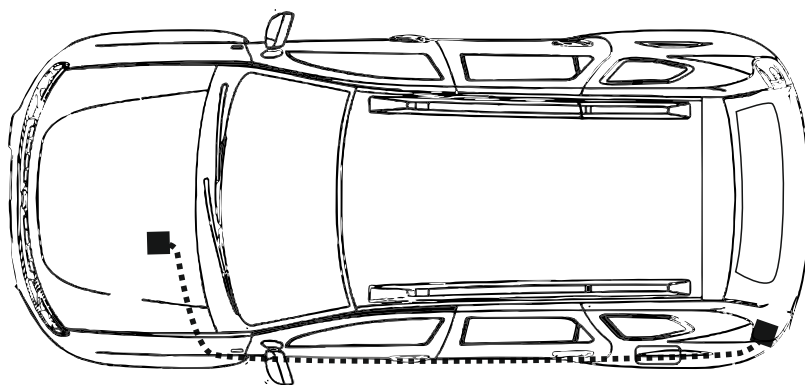
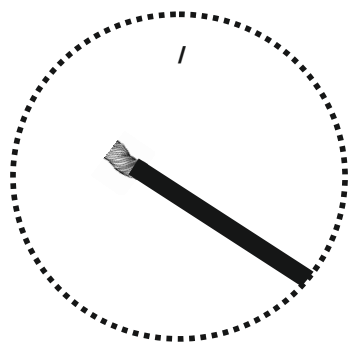
, CODE () !





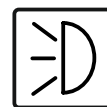
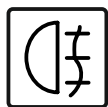






*

9200-76



1/L

2

3/31

4/R

5/58-R

6/54

7/58-L

21W

2x21W

21W

21W

2x21W

21W

-

