

Towing hitch accessories:

Pos. 1 Main bar PCS.: 1	Pos. 5 Left fish-plate PCS.: 1	Pos. 10 Bolt 8,8 B M12x75mm PCS.: 1	Pos. 16 Plain washer ø12mm PCS.: 2
Pos. 2 Tow ball PCS.: 1	Pos. 6 Distance sleeve ø17,2x2,65mm L=65mm PCS.: 1	Pos. 11 Bolt 8,8 B M12x70mm PCS.: 1	Pos. 17 Plain washer ø10mm PCS.: 1
Pos. 3 Socket plate PCS.: 1	Pos. 7 Distance sleeve ø17,2x2,65mm L=69mm PCS.: 1	Pos. 12 Bolt 8,8 B M10x110mm PCS.: 2	Pos. 18 Plain washer ø30xø10.5x2.5 PCS.: 4
Pos. 4 Right fish-plate PCS.: 1	Pos. 8 Distance sleeve ø17,2x2,65mm L=75mm PCS.: 1	Pos. 13 Bolt 8,8 B M10x100mm PCS.: 2	Pos. 19 Spring washer ø12mm PCS.: 2
	Pos. 9 Distance sleeve ø25x5mm L=67mm PCS.: 1	Pos. 14 Nut 8 B M12 PCS.: 2	Pos. 20 Spring washer ø10mm PCS.: 4
		Pos. 15 Nut 8 B M10 PCS.: 4	Pos. 21 Ball cover PCS.: 1



PPUH AUTO-HAK S.J.

Produkcja Zaczepów Kulowych
Henryk & Zbigniew Nejman
76-200 SŁUPSK ul. Słoneczna 16K
tel/fax (059) 8-414-414; 8-414-413
E-mail: office@autohak.com.pl
www.autohak.com.pl

Towing hitch (without electrical set)

Class: **A50-X** Cat. no. **X22**

Designed for:

Manufacturer: **CHEVROLET**

Model: **AVEO**

Type: **3/5 doors**

produced since 03.2008 till 2011

Approval number according to Directive 94/20/EC: **e20*94/20*0766*00**

Technical data:

D-value: 6,6 kN

maximum trailer weight: **1200 kg**

maximum vertical cup mass: **50 kg**

Foreword

This towing hitch is designed according to rules of safety traffic regulations. The towing hitch is a safety component and can be install only by qualified personnel. Any alteration or conversion of the towing hitch is prohibited and would lead to cancellation of design certification. Remove insulating compound and underseal from vehicle (if present) in the area of the matting surfaces of the towing hitch. The vehicle manufacturer's specifications regarding trailer mass and max. vertical cup mass are decisive for driving whereat values for the towing hitch cannot be exceeded.

D-value formula:

$$\frac{\text{Max trailer weight [kg]} \times \text{Max vehicle weight [kg]}}{\text{Max trailer weight [kg]} + \text{Max vehicle weight [kg]}} \times \frac{9,81}{1000} = D \text{ [kN]}$$

FITTING INSTRUCTION

Clamp mark in acc. with		Cables joining
ISO	PN	
1	L	Left directional lights
2	+	Rear fog lights
3	31	Ground
4	R	Right directional lights
5	58R	Right side parking lights
6	54	Stoplights
7	58L	Left side parking lights

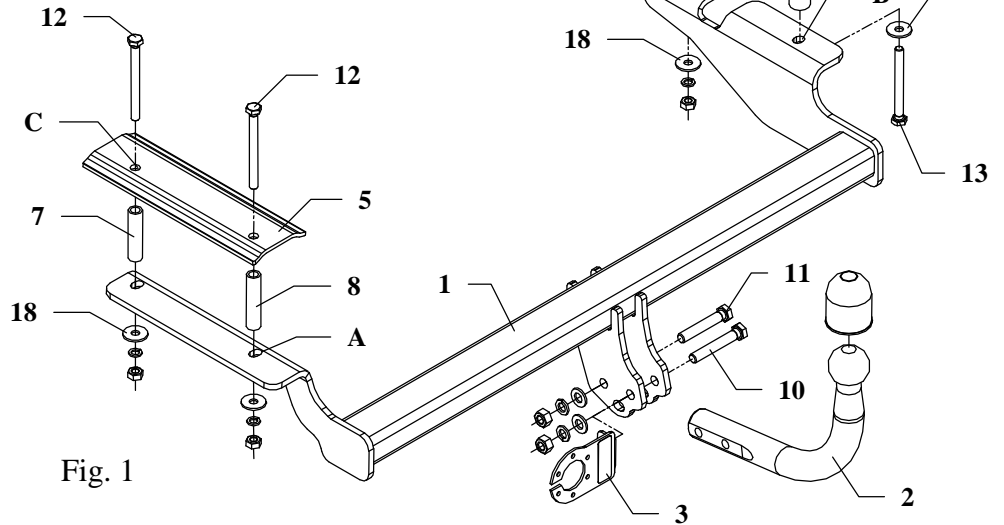


Fig. 1

This towing hitch is designed to assembly in following cars: **CHEVROLET AVEO, 3/5 doors**, produced since 03.2008 till 2011, catalogue no. **X22** and is prepared to tow trailers max total weight **1200 kg** and max vertical mass **50 kg**.

Torque settings for nuts and bolts (8,8):

M6 - 11 Nm	M 8 - 25 Nm	M 10 - 50 Nm
M 12 - 87 Nm	M 14 - 138 Nm	M16 - 210 Nm

From manufacturer

Thank you for buying our product. Their reliability has been confirmed in many tests. Reliability of towing hitch depends also on correct assembly and right operation. For this reasons we kindly ask to read carefully this instruction and apply to hints.

The towing hitch should be install in points described by a car producer.

The instruction of the assembly

1. Disassemble rear lights unit and bumper. Cut out handles of the bumper and saw off fragment in its axis according to figure 2.
2. Inside boot disassemble back panel. Loosen side panels and move them to the center.
3. Underneath a car disassemble a canister.
4. Underneath the car drill holes A and B into boot using bit $\phi 11\text{mm}$. Inside boot apply fish-plates (pos. 4 and 5). Mark holes C and D. Remove fish-plates and drill marked points C and D by bit $\phi 11\text{mm}$.
5. Enlarge holes A, C and D to a diameter $\phi 18\text{mm}$ (only inside boot) .
6. Enlarge hole B to a diameter $\phi 25\text{mm}$ (only inside boot).
7. Into drilled holes put suitable distance sleeves (pos. 6, 7, 8 and 9) as shown in the drawing.
8. Inside boot apply fish-plates (pos. 4 and 5). Put in bolts M10x110mm (pos. 12) and M10x100mm (pos. 13).
9. Underneath the car, on protruding bolts apply main bar of the towbar (pos. 1) and fix as shown in the drawing.
10. Reassemble elements disassembled at point 1-3.
11. Fix tow ball (pos. 2) using bolt M12x75mm (pos. 10) and M12x70mm (pos. 11). With bolt M12x75mm fix also a socket plate (pos. 3). See figure 1.
12. Tighten all bolts according to the torque shown in the table.
13. Connect electric wires of 7-poles socket according to the instruction of the car. (Recommend to make at authorized service station).
14. Complete paint layer damaged during installation.

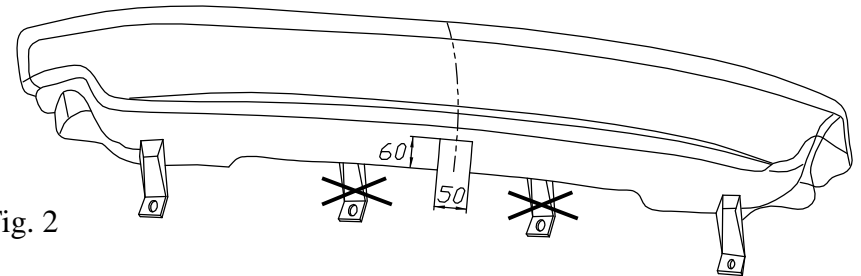


Fig. 2

NOTE

After install the towing hitch you should get adequate note in registration book (at authorised service station). The car should be equipped with:

- Indicators
- Tow mirrors

After 1000km of exploitation check all bolts and nuts. The ball of towing hitch must be always kept clear and conserve with a grease.